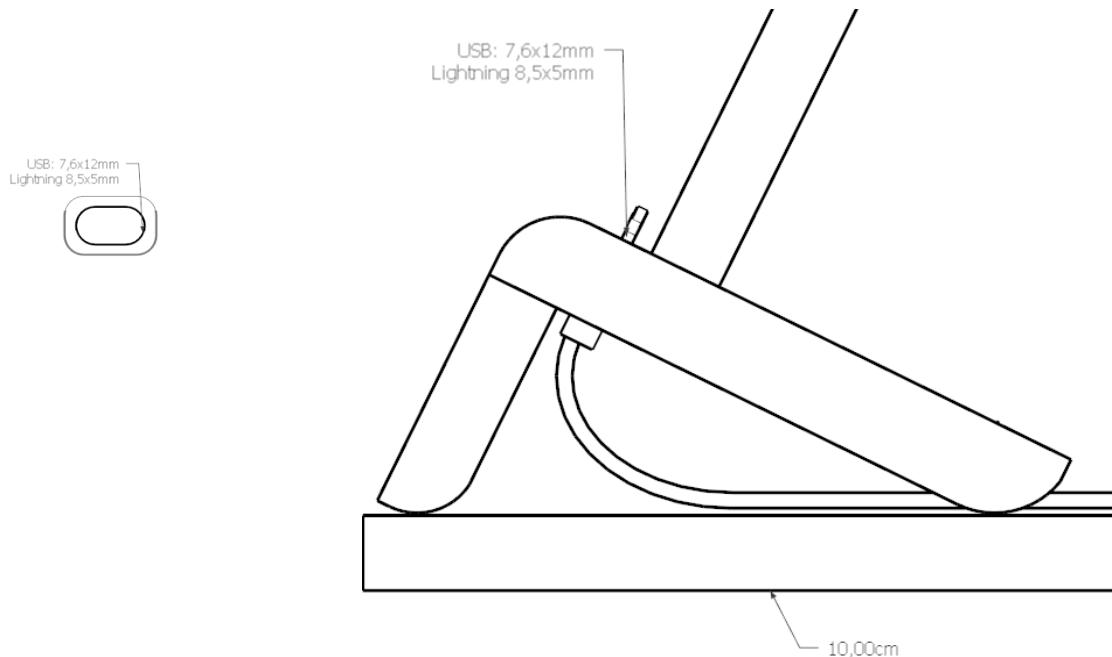


Validation of compatibility of USB and USB-C cables for the Lambda Dock

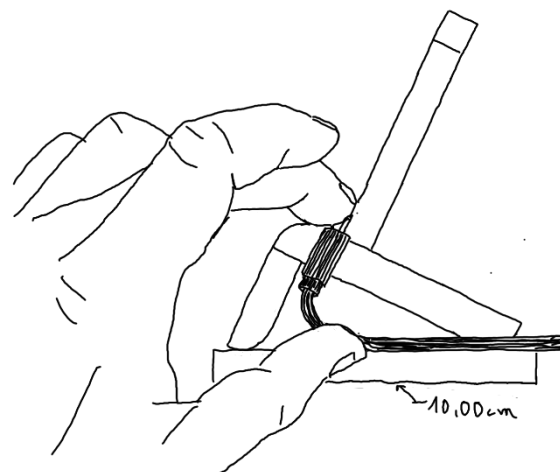
The Lambda dock is designed to support Micro-USB and USB-C cables of different vendors. Since the cables and the size of the housing if the connector is not standardized it could happen that the cable may not fit. The check this before purchase, you can validate the fit with this document.

Procedure: Print this document to DIN A4 or scale it on a PC screen so that the 10cm bar is in real size (10cm = 3,94 in)



Then position the cable onto the drawing and adjust the position of the plug on the surface of the dock. Then bend the cable to the right and check whether the bending radius is acceptable.

To check the fit of the connector housing to the hole, compare the connector with the drawing of the hole..



Contact: Kai Altstaedt, info@ck-altstaedt.de
Homepage: <http://www.ck-altstaedt.de/>
Instagram: <https://www.instagram.com/wooddesignaltstaedt/>

